



PROJECT		REF		REV	ITEM CODE	
LOCATION		DATE			PAGE	

## SANITARY WARE SPECIFICATION SHEET


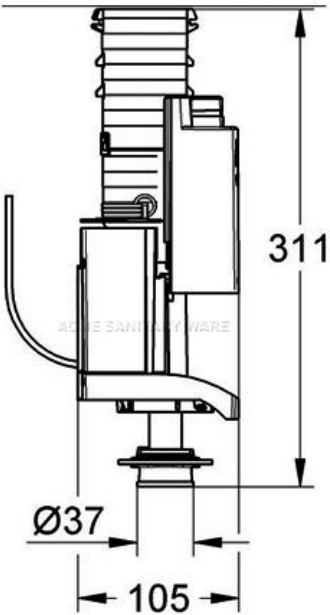
<p><b>Item Descriptions</b></p> <p><b>Dimensions</b></p> <p><b>Model</b></p> <p><b>Finish</b></p> <p><b>Manufacturer</b></p> <p><b>Supplier</b></p> <p><b>Contact Tel/Fax</b></p> <p><b>E-mail</b></p> <p><b>Website</b></p>	<p>GROHE (Germany) concealed flushing cistern 3/6L dual flush, 1.13M installation height; Skate Cosmopolitan <b>Cool Sunrise ABS</b> wall plate for pneumatic discharge valve in the vertical orientation during installation; Inlet Set included</p> <p>L156 x H197 x D10 mm</p> <p>38732GL0 (Cool sunrise wall plate)        38661000 (Concealed cistern)        37102SH0 (Inlet Set)</p> <p>Cool Sunrise</p> <p>GROHE Limited</p> <p>Acme Sanitary Ware Co. Ltd        Mr. Eric Wong/ Mr. Wilson Hung        (852) 2388-7171 / (852) 2710-8012        acme@acmesanitary.com.hk        www.acmesanitary.com.hk</p>	<p style="text-align: center;"><b>Illustration/ Drawing</b></p> <div style="text-align: center;"> <p style="margin-top: 10px;"><b>Inlet set 37102SH0</b></p> </div> <div style="text-align: center;"> </div> <div style="text-align: center;"> </div> <div style="text-align: center;"> </div> <div style="text-align: center;"> </div>
<p>Skate Cosmopolitan Flush plate or dual flush or start &amp; stop actuation for pneumatic drop valve AV1 for vertical and horizontal installation for mounting of small flush plates please order inspection shaft 40 911 000 (sold separately)</p> <p><b>GROHE StarLight</b> finish</p> <p><b>GROHE EcoJoy</b> technology for less water and perfect flow</p> <p><b>Rapid SL 3 in 1 set for WC</b> flushing cistern GD 2 with small maintenance access</p> <p><b>1.13 m installation height</b> for on-the-wall installations or studded walls powder coated steel frame, self-supporting for dry-cladding, completely pre-assembled with fixed connections for single or rail installation quick adjustment, lockable, fixing material TÜV approved, 2 WC fixing bolts fixing device for ceramic distance of fixing bolts 180/230 mm depth adjustable</p>	<p>inlet and outlet connecting set flushing cistern GD 2, 6 - 9 l adjustment ex factory 6l and 3l pneumatic discharge valve offering 3 modes of operation: dual flush or start/stop or non-interruptible water supply from left/right or back low noise (group I acc. to German Noise Specification), DIN approved insulated against condensation 1/2" water supply connection including integrated angle valve and push fit flexible hose union no tools required for the installation of the inspection shaft incl. protection during construction phase accessories for on-the-wall installation <b>including wall plate Skate Cosmopolitan</b> for dual flush or start &amp; stop actuation vertical and horizontal installation vertical installation, 156 x 197 mm chrome, made of ABS</p> <p><b>GROHE StarLight®</b> chrome finish</p>	<div style="display: flex; justify-content: space-around; align-items: center;"> <div style="text-align: center;"> <p>38732A00 hard graphite</p> </div> <div style="text-align: center;"> <p>38732DA0 warm sunset</p> </div> </div>

\* All information of the above is for the reference only. No prior notice is made if any changes.



PROJECT		REF		REV	ITEM CODE	
LOCATION		DATE			PAGE	

## SANITARY WARE SPECIFICATION SHEET

<p>Item Descriptions</p> <p>Model</p> <p>Finish</p> <p>Manufacturer</p> <p>Supplier</p> <p>Contact Tel/Fax</p> <p>E-mail</p> <p>Website</p>	<p>GROHE (Germany) Plastic single top push flush valve</p> <p>42320000</p> <p>Plastic</p> <p>GROHE Limited</p> <p>Acme Sanitary Ware Co. Ltd Mr. Eric Wong/ Mr. Wilson Hung</p> <p>(852) 2388-7171 / (852) 2710-8012 acme@acmesanitary.com.hk www.acmesanitary.com.hk</p>	<p style="text-align: center;">Illustration/ Drawing</p> <div style="text-align: center;">  </div> <div style="text-align: center; margin-top: 20px;">  </div>
---	---	---

Note:

*\* All information of the above is for the reference only. No prior notice is made if any changes.*



水務署  
Water Supplies Department

總部 Headquarters

香港灣仔道七號入境事務大樓 48 樓

Room 4801, Tower 7 Gloucester Road, Wan Chai, Hong Kong



本署檔號  
Our ref.  
來函檔號  
Your ref.

J24 T/J(133/2024)

電話 :  
Tel. :  
傳真 : 2824 0578  
Fax. :

27 February 2024



**Approval of “GROHE” Flush Valve  
(General Acceptance No. C20240141F)**

Your E-Application [file-id: ETJ-GA-20240206-3] dated 6 February 2024 refers.

Having considered the test report ref. J29467 issued on 4 January 2024 by Nutek Systems (HK) Limited; this Authority accepts that the fitting described below complies with, and its use when correctly installed does not contravene, the Waterworks Ordinance and Regulations.

**Name of Manufacturer:** Grohe AG  
**Country of Origin:** Germany  
**Brand:** Grohe  
**Details of Fitting:** 37mm Plastic dual flush valve  
**Model:** 42320000  
**Body Markings:**   
**Expiry Date:** 19 December 2028



**Proviso:** As the fitting has not been tested for use in contact with water intended for human consumption, the fitting can only be used in flushing water plumbing system.

This Authority hereby permits the use of the above fitting in flushing water plumbing systems subject to full adherence to Waterworks installation requirements. In particular, you are required to draw your customers' attention to the following requirement-

"The flushing volume of the flushing valve should be adjusted to suit the design of the toilet bowl so that wastes can be cleared effectively by a single flush."

"The fitting should be used within the range of working pressures specified by the manufacturer." AND

"The installed fitting should not result in backflow of water that will contaminate the flushing water supply."

A condition of this acceptance is that the fitting to be installed shall be replicas of the sample as certified by the testing agent mentioned above and without modifications. This acceptance may be withdrawn at any time if the standard of the fitting installed fails to meet that of the approved sample or if the fitting is found to be unsuitable for use in flushing water plumbing systems.

For the use of the fitting in any project, the General Acceptance Number of this letter must be quoted as a means of identification of acceptance of the fitting by this Authority.

Should you have any enquiries, please contact our Engineer Mr Albert CHOW at tel. no. 3583 4086.

Yours faithfully,



(Terry KUNG)

for Director of Water Supplies

Encl.

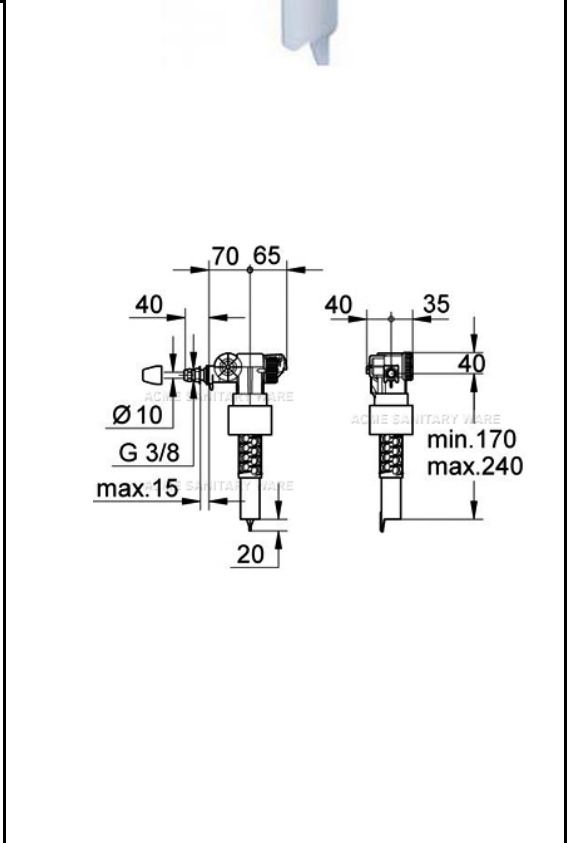
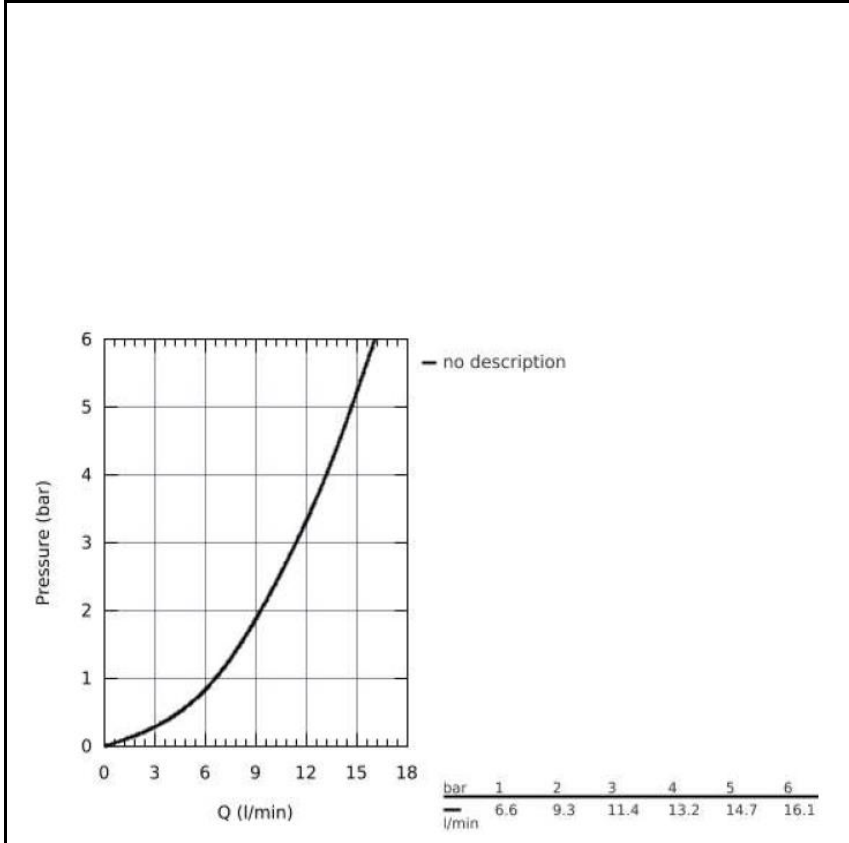
c.c. WSD 3321/1/82 ] - without catalogue  
ME/MC ] - with soft copy only



PROJECT		REF		REV	ITEM CODE	
LOCATION		DATE			PAGE	

## SANITARY WARE SPECIFICATION SHEET

Item Descriptions	GROHE (Germany) Plastic inlet valve	Illustration/ Drawing    <i>ACME SANITARY WARE</i>
Model	37095000	
Finish	Plastic	
Manufacturer	GROHE Limited	
Supplier	Acme Sanitary Ware Co. Ltd Mr. Eric Wong/ Mr. Wilson Hung	
Contact Tel/Fax E-mail Website	(852) 2388-7171 / (852) 2710-8012 acme@acmesanitary.com.hk www.acmesanitary.com.hk	



Note:

\* All information of the above is for the reference only. No prior notice is made if any changes.



水務署  
Water Supplies Department

香港灣仔告士打道七號入境事務大樓  
Immigration Tower, 7 Gloucester Road, Hong Kong.

電子郵遞  
e-mail [wsdinfo@wsd.gov.hk](mailto:wsdinfo@wsd.gov.hk)

電話  
Telephone

圖文傳真  
Facsimile 2824 0578

檔  
Refer.



21/2025 T/J(574/2025)

3 September 2025



ACME SANITARY WARE

Dear Madam,

**Approval of “GROHE” Float Operated Valve  
(General Acceptance No. ZC20250669F)**

Your E-Application [file-id: ETJ-GA-20250606-137] dated 13 June 2025 and subsequent submissions received by this department up to 13 August 2025 refer.

Having considered the test report ref. J30503r2 issued on 11 August 2025 by Nutek Systems (HK) Limited, this Authority accepts that the fitting described below complies with, and its use when correctly installed does not contravene, the Waterworks Ordinance and Regulations.

**Name of Manufacturer:** Grohe AG

**Country of Origin:** Germany

**Brand:** Grohe

**Details of Fitting:** 3/8" Plastic float operated valve

**Model:** 37095000

**Body Markings:** 

**Expiry Date:** 2 September 2030



**Proviso:** As the fitting has not been tested for use in contact with water intended for human consumption, the fitting can only be used in flushing water plumbing systems.

This Authority hereby permits the use of the above fitting in flushing water plumbing systems subject to full adherence to Waterworks installation requirements. In particular, you are required to draw your customers' attention to the following requirement-

"The flushing volume of the flushing valve should be adjusted to suit the design of the toilet bowl so that wastes can be cleared effectively by a single flush."

"The fitting should be used within the range of working pressures specified by the manufacturer." AND

"The installed fitting should not result in backflow of water that will contaminate the flushing water supply."

A condition of this acceptance is that the fitting to be installed shall be replicas of the sample as certified by the testing agent mentioned above and without modifications. This acceptance may be withdrawn at any time if the standard of the fitting installed fails to meet that of the approved sample or if the fitting is found to be unsuitable for use in flushing water plumbing systems.

For the use of the fitting in any project, the General Acceptance Number of this letter must be quoted as a means of identification of acceptance of the fitting by this Authority.

Should you have any enquiries, please contact our Engineer Mr Albert CHOW at tel. no. 3583 4086.

Yours faithfully,



(Terry KUNG)

for Director of Water Supplies

Encl.

c.c. WSD 3321/1/82 ] - without catalogue  
ME/MC ] - with soft copy only